

SunPower® X21-345-C-AC | Residential AC Module Series

Design-Driven Advantages

- #1 module aesthetics and efficiency¹
- Unmatched module reliability²
- No electrolytic capacitors
- 25-year Combined Power and Product Warranty

Maximize Value for Roof

- Size system for roof, not string inverter
- Optimize performance of each module

Expand Deployment Options

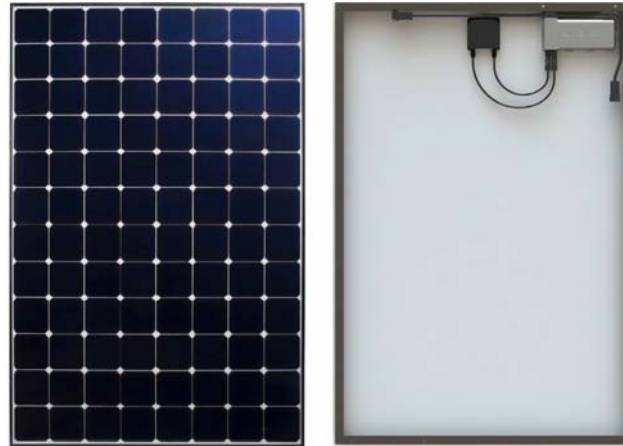
- Complex roofs and partial shading
- Small systems
- System expandability

Simplify & Speed Installation

- Factory-integrated microinverter
- Robust, double-locking AC connectors
- Design flexibility offsite and onsite
- No DC string sizing process
- Fewer installation steps than competing systems
- Intuitive commissioning

Component of Complete System

- Built for use with SunPower® InvisiMount™ and the SunPower Monitoring System
- Superior system reliability and aesthetics



Optimize System and Installation Efficiency

SunPower® AC Modules, which include a factory-integrated SunPower microinverter, provide a revolutionary combination of high efficiency, high reliability, and module-level DC-to-AC power conversion. Designed specifically for use with SunPower InvisiMount™ and the SunPower Monitoring System, SunPower AC Modules enable rapid installation, best-in-class system aesthetics, and intuitive visibility into system performance. All this comes with the best Combined Power and Product Warranty in the industry.

sunpower.com

SunPower® X21-345-C-AC | Residential AC Module Series

Power Data		
	SPR-X21-345-C-AC	SPR-X21-335-C-AC
Nominal Power ³ (P _{nom})	345 W	335 W
Power Tolerance	+5/-0%	+5/-0%
Avg. Panel Efficiency ⁴	21.5%	21.0%
Temp. Coef. (Power)	-0.29%/°C	
Shade Tolerance	<ul style="list-style-type: none"> • Three bypass diodes • Integrated module-level maximum power point tracking 	

AC Electrical Data	
Output @ 240 V (min./nom./max.)	211/240/264 V
Output @ 208 V (min./nom./max.)	183/208/229 V
Operating Frequency (min./nom./max.)	59.3/60.0/60.5 Hz
Output Power Factor (min.)	0.99
AC Max. Continuous Output Current @ 240 V	1.33 A
AC Max. Continuous Output Current @ 208 V	1.54 A
AC Max. Cont. Output Power	320 W
DC/AC CEC Conversion Efficiency	96.0%
Max. Units Per 20 A Branch Circuit @ 240 V	12 (single phase)
Max. Units Per 20 A Branch Circuit @ 208 V	10 (two pole)
No active phase balancing for 3 phase installations	

Mechanical Data	
Solar Cells	96 Monocrystalline Moxeon Gen III
Front Glass	High-transmission tempered glass with anti-reflective coating
Environmental Rating	Outdoor rated
Frame	Class 1 black anodized (highest AAMA rating)
Weight	45.5 lbs (20.6 kg)
Recommended Max. Module Spacing	1.3 in. (33 mm)

¹Highest of over 3,200 silicon solar panels, Photon Module Survey, Feb. 2014

²#1 rank in "PV Module Durability Initiative Public Report," Fraunhofer CSE, Feb 2013. Five out of the top eight largest manufacturers were tested. Campeau, Z. et al. "SunPower Module Degradation Rate," SunPower white paper, Feb 2013. See www.sunpower.com/facts for details.

³Standard Test Conditions (1000 W/m² irradiance, AM 1.5, 25° C), NREL calibration standard: SOMS current, LACCS FF and voltage. All DC voltage is fully contained within the module.

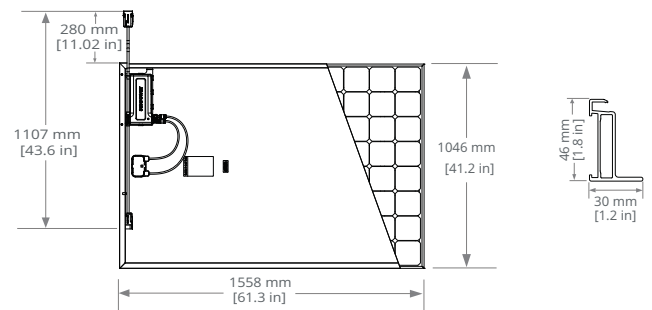
⁴Based on average of measured power values during production.

See www.sunpower.com/facts for more reference information.

For more details, see extended datasheet: www.sunpower.com/datasheets.

Tested Operating Conditions	
Operating Temp.	-40° F to +185° F (-40° C to +85° C)
Max. Ambient Temp.	122° F (50° C)
Max. Load	Wind: 62 psf, 3000 Pa, 305 kg/m ² front & back Snow: 125 psf, 6000 Pa, 611 kg/m ² front
Impact Resistance	1 inch (25 mm) diameter hail at 52 mph (23 m/s)

Warranties and Certifications	
Warranties	<ul style="list-style-type: none"> • 25-year limited power warranty • 25-year limited product warranty
Certifications	<p>UL listed to UL 1741, including:</p> <ul style="list-style-type: none"> • IEEE1547/1547a and IEEE1547.1/1547.1a Utility Interactive • PV Rapid Shutdown Equipment • Equipment Grounding • UL 6703, UL 9703 Connectors and cables (load break disconnection) • UL 1703 PV Modules (Type 2 fire rating) <p>Enables installation in accordance with:</p> <ul style="list-style-type: none"> • NEC 690.6 • NEC 690.12 Rapid Shutdown (inside and outside the array) • NEC 690.15 AC Connectors, 690.33(A) - (E)(1) <p>FCC and ICES-003 Class B</p> <p>When used with InvisiMount racking (UL 2703):</p> <ul style="list-style-type: none"> • Integrated grounding and bonding • Class A fire rated
PID Test	Potential-induced degradation free



Please read the safety and installation instructions for details.

Document # 515215 Rev D /LTR_US